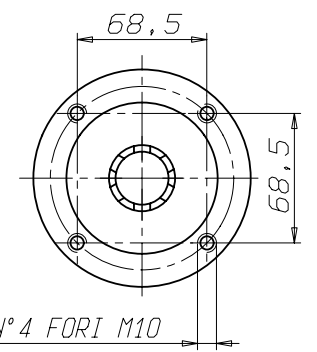


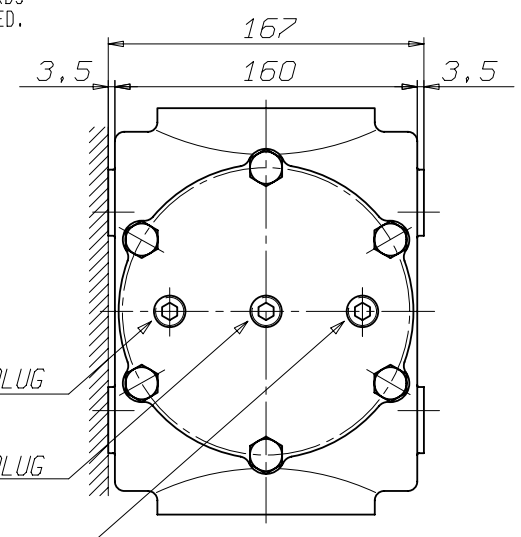
ATTENZIONE! I GRUPPI DEVONO ESSERE VERNICIATI CON SMALTO BLU SEGNALE "RAL 5005" (VEDI SCHEMA NY20500001)

WARNING!
 ROTATING SHAFTS MARKED ARE NOT SHIELDED. ANY SHAFT AND COUPLING NOT GUARDED BY LOCATION MUST BE SHIELDED BY AN INTERACTIVE GUARDING SYSTEM. BONDOLI & PAVESI DECLINES RESPONSIBILITY IF PROPER GUARDS ARE NOT PROVIDED AND MAINTAINED.

VISTA DA "A"



N° 4 FORI M10



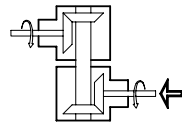

OIL DRAIN PLUG

OIL LEVEL PLUG

OIL FILLER PLUG

VISTA DA "B"

VALIDO PER ENTRAMBI LE SCATOLE

MONTAGGIO GEAR ARRANGEMENTS ART DER MONTAGE MONTAGE	PESO WEIGHT GEWICHT POIDS	TIPO TYPE TIP	CLIENTE CLIENT CUSTOMER KUNDE	DATA :	VISTO :
		2050	590 0929 ALFA LAVAL AGRI NYKOEPIG AB	03/04/98	GIORGI
R=1:1  R=1:1	RAPPORTO RATIO ÜBERS.-VERH. RAPPORT			SOSTITUISCE REPLACE REPLACES ERSETZT	
	1:1			TIPO DI MACCHINA TYPE DE MACHINE TYPE OF IMPLEMENT MASCHINENTYPE	
	GIRI IN ENTRATA INPUT SPEED EINGANGSDREHZAHL TOURS EN ENTREE			RIF. CLIENTE REF. CLIENT CUSTOMER REF. BEZUG KUNDE	MINIDISEGNO SCATOLA Codice :
	540			5340472501	52050999053
	POTENZA IN ENTRATA INPUT POWER EINGANGSLEISTUNG PUISSANCE EN ENTREE		MODIFICHE - MODIFICATIONS - ANDERUNGEN - MODIFICACIONES		
	66 CV 48.5 kW				